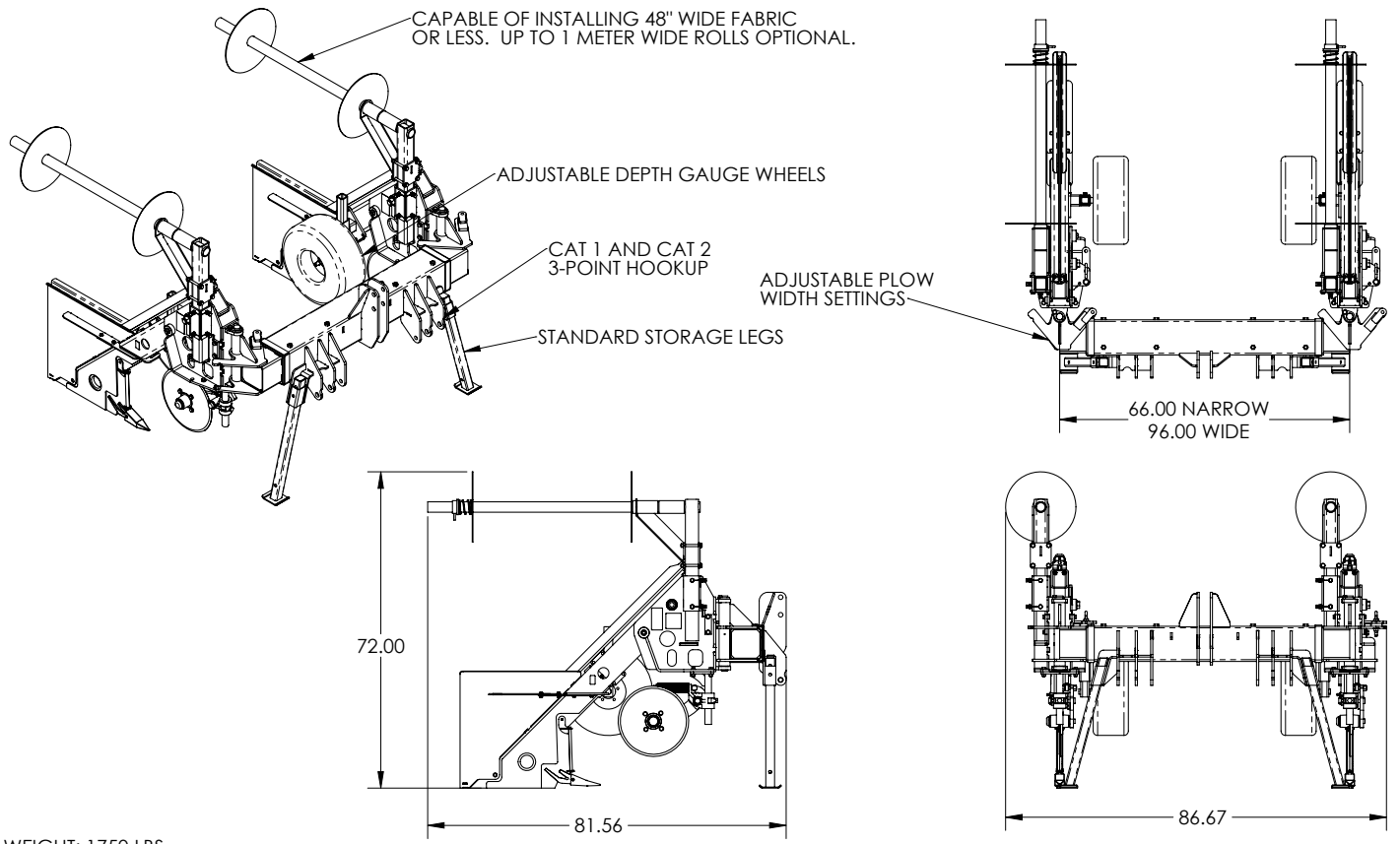


BURCHLAND XTS

Weed Barrier Plow

- Install Fabric Mulch
- Organic weed control
- Lasts for years
- Reduce labor
- Increase yields
- Install around established plants.





WEIGHT: 1750 LBS.
 CUSTOM WIDTHS AND SIZES AVAILABLE
 UPON REQUEST.



PART # 12865

Call for pricing



Prices and Specifications may be subject to change without notice. Prices do not include shipping or setup.